

Specifications

SMART HYBRID COOLER	49WEC-CB	32WEC-DB
Screen Size	49"	32"
Panel Technology	IPS (M+)	IPS (M+)
Transmittance	9.50%	8.63%
Aspect Ratio	16:9	16:9
Native Resolution	1,920 x 1,080 (FHD)	1,920 x 1,080 (FHD)
Brightness	100 cd/m ² (Typ), 80 cd/m ² (Min) / (Integrated with protection glass + white reflector sheet (TXD-225))	100 cd/m ² (Typ), 80 cd/m ² (Min) / (Integrated with protection glass + white reflector sheet (TXD-225))
Color Depth	16.7 Million	8 bit, 16.7 Million
Response Time (Typ)	9 ms (G to G BW)	9ms (G to G BW)
Orientation	Portrait	Portrait
Input	-	HDMI
Output	-	Audio
External Control	IR Receiver, USB	RS232C, RJ45, IR Receiver, USB
Bezel Color	Silver	Dia Black
Bezel Width	184.6 mm (T), 223.6 mm (D), 60 mm (L/R)	124.8 mm (T), 123.3 mm (B), 117.3 mm (L/R)
Cooler Dimension	730 x 773 x 1,861 mm	636.7 x 651 x 1,045.5 mm
Net Weight	114 kg	75 kg
Carton Dimensions	765 x 801 x 2,037.5 mm	751 x 699 x 1,195
Packed Weight	162 kg	88.7 kg (TBD)
Handle	Yes	Yes (Door side Mold Cover)
SPECIAL FEATURES	Temperature Sensor, File Play with USB, Internal Memory 8 GB (System 4 GB + Available 4 GB), Wi-Fi (In-Box), USB Cloning	Temperature Sensor, File Play with USB, Internal Memory 8 GB (System 4 GB + Available 4 GB), Wi-Fi (In-Box), USB Cloning
ENVIRONMENT CONDITIONS	Operation Temperature: 5°C to 35°C Operation Humidity: 10% - 80%	Operation Temperature: 5°C to 35°C Operation Humidity: 10% - 80%
POWER	Power Supply: 220-240V- 50Hz 2.5 A Power Type: Adaptor (Built-in) Power Consumption(Typ/Max): 300Wh (Typ), 450Wh (Max) - Test Condition : Normal Temperature (25+/- 2°C) : Keep the door closed condition. Do not allowed door open/close.	Power Supply: 220-240V- 50Hz TBD A Power Type: Adaptor (Built-in) Power Consumption(Typ/Max): TBD (Typ), TBD (Max) - Test Condition : Normal Temperature (25+/- 2°C) : Keep the door closed condition. Do not allowed door open/close.
STANDARD (CERTIFICATION)	Safety: CE EMC: CE ErP / Energy Star: N/A	Safety: CE EMC: CE TBD
SOFTWARE COMPATIBILITY	SuperSign W/Lite: Yes SuperSign C: Yes	SuperSign W/Lite: Yes SuperSign C: Yes
ACCESSORIES	Basic: Remote Controller (including battery 2ea), WiFi Dongle, Anker Bolt(1 set), Rubber Pad(1 2ea) Optional: X	Basic: Remote Controller (including battery 2ea), IR Receiver Optional: AN-WF500
TRANSPARENT COOLER	Protection Glass: 3.2T Tempered Glass Hybrid Display: Hybrid / Semi-Transparent Brightness Control: Yes Compatible Cooler Body: Premier FRS-500R Sensor: Proximity Sensor (Lower-center door), Door sensor Volume: 479 L Temperature Adjust: 0°C - 10.0°C (32°F - 50°F) Compressor Power: 1/4 HP Shelves: 4 Foaming Agent: Cyclopentane Safety / EMC: CE / CE (Class B) Manufacturer: TurboAir Korea Power Input: 220-240V- 50 Hz RoHS: RoHS, REACH Refrigerant Type: R-134a Charge: 0.220 kg GWP: 1,430 (kgCO ₂ -eq) CO ₂ -Equivalent: 0.315 (Ton) Door Lock: None	Protection Glass: 3.2T Tempered Glass Hybrid Display: Hybrid / Semi-Transparent Brightness Control: Yes Compatible Cooler Body: Premier TGM-7SD Sensor: Proximity Sensor (Lower-center door), Door sensor Volume: 215 L Temperature Adjust: 0°C - 10.0°C (32°F - 50°F) Compressor Power: 1/4 HP Shelves: 3 Foaming Agent: Cyclopentane Safety / EMC: CE / CE (Class B) Manufacturer: TurboAir Korea Power Input: 220-240V- 50 Hz RoHS: RoHS, REACH Refrigerant Type: R-134a Charge: 0.125 kg GWP: 1,430 (kgCO ₂ -eq) CO ₂ -Equivalent: 0.179 (Ton) Door Lock: Yes

*Contains fluorinated greenhouse gases / *Hermetically sealed

OPEN FRAME	49WFB	32WFC
Screen Size	48.5" diagonal	31.55" diagonal
Panel Technology	IPS	IPS
Aspect Ratio	16:9	16:9
Native Resolution	1,920 x 1,080 (FHD)	1,920 x 1,080 (FHD)
Transmittance	9.50%	8.63% (center 1point, typ)
Contrast Ratio	1300	-
Viewing Angle (H x V)	178 x 178	Viewing angle free
Color Depth	8 bit, 16.7 Million colors	8 bit, 16.7 Million colors
Response Time	-	8 ms (G to G)
Surface Treatment	Hard coating (2H), Anti-reflection treatment of the front polarizer (Reflectance < 2%)	Hard coating (2H), Anti-reflection treatment of the front polarizer (Reflectance < 2%)
Orientation	Landscape & Portrait	Landscape & Portrait
CONNECTIVITY	Input: LVDS Color: Black	Input: LVDS Color: Black
BEZEL WIDTH	64.1 mm (U), 18.7 mm (D), 18.7 mm (L), 125.86 mm (R)	83.05 mm (U), 17.5 mm (D), 17.5 mm (L), 17.5 mm (R)
MONITOR DIMENSION (W x H x D)	1,222.34 x 690.8 x 11.2 mm	743.2 x 504.2 x 11.2 mm
Weight	5.4 kg	2.6 kg
CARTON DIMENSIONS (W x H x D)	1,303 x 771 x 118 mm	834.0 x 570.0 x 114 mm
Packed Weight	9.0 kg	3.8 kg
ENVIRONMENT CONDITIONS	Operation Temperature: 0°C to 40°C Operation Humidity: 10% to 80%	Operation Temperature: 0°C to 40°C Operation Humidity: 10% to 80%
POWER CONSUMPTION	Typ: 5.4 W (12V Input)	6.3 W (Typ.) (12V Input)
ACCESSORY	Simple Book (1)	Simple Book (1)

Download LG Commercial Display Mobile App



Learn More www.lg.com/b2b

YouTube [youtube.com/c/LGCommercialDisplay](https://www.youtube.com/c/LGCommercialDisplay)

LG may make changes to specifications and product descriptions without notice.
Copyright © 2017 LG Electronics Inc. All rights reserved. "LG Life's Good" is a registered trademark of LG Corp.
The names of products and brands mentioned here may be the trademarks of their respective owners.



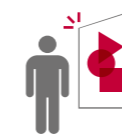
New Concept with Hybrid View LG Smart Hybrid Cooler/Open Frame



49/32WEC is a transparent cooler that allows the customer in the shop to view not only the beverages in the cooler but also the advertisement on the transparent display by a proximity sensor. By eliminating the air gap between the door glass and transparent LCD panel, the LG Smart Hybrid cooler gives unprecedentedly accurate image & color representation. Specially designed for the LG Smart Hybrid cooler, the M+ panel (with additional white pixel & enhanced transparency) renders brighter images for a vivid digital content experience. In short, this transparent cooler is able to strengthen the effectiveness of the advertising displays in the store.

Key Features

Hybrid View



Hybrid View with Proximity Sensor

With proximity sensor enabled, the display switches from advertising mode to transparent mode enabling see-thru view.



Advertising mode :
Digital content is vividly shown.



Transparent mode :
Products inside the cooler are shown together with digital content.

Advanced Picture Quality



Direct Bonding Technology

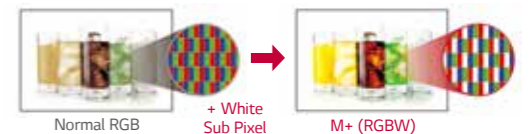
By eliminating air gap between the door glass and transparent LCD panel, the LG Smart Hybrid cooler gives unprecedentedly accurate image & color.



Conventional 49/32WEC
Panel
Resin
Glass

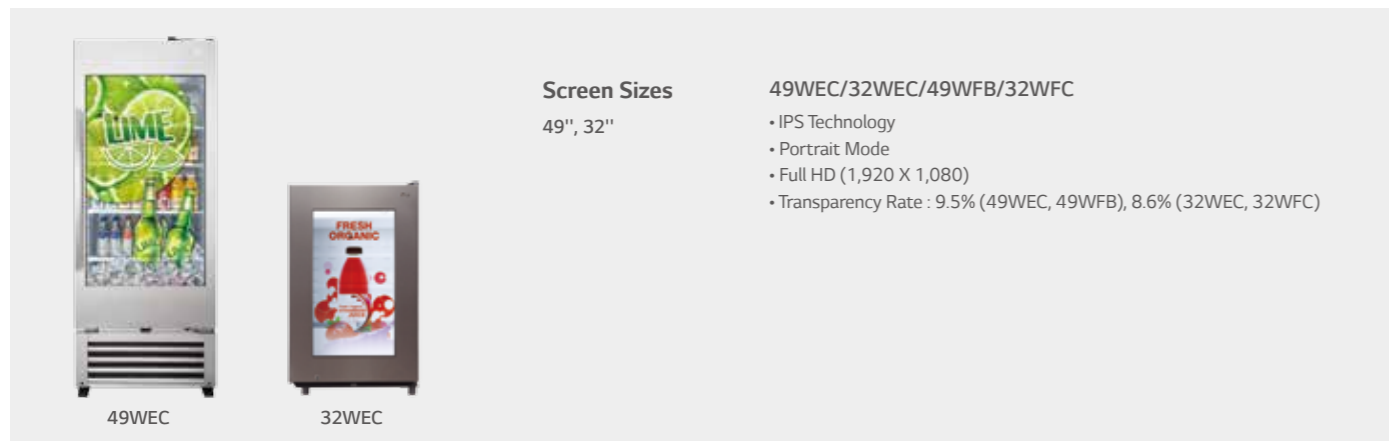
Enhanced Brightness

Specially designed for the LG Smart Hybrid cooler M+ panel (with additional white pixel & enhanced transparency) renders brighter images for a vivid digital content.



New Concept with Hybrid View

LG Smart Hybrid Cooler/Open Frame



Other Features

Easy Content Management

Simple Network Management Protocol

With SuperSign W digital signage solution, you can remotely manage content distribution via the Internet. Built-in SoC* allows you to play content just by uploading the content via USB.

- High Performance SoC
- Content management through SuperSign W
- Play content with WiFi / USB



*SoC : System on Chip

User-convenience

Door Sensor

When the cooler door is opened, the door backlight is adjusted to prevent dazzling.



IR Sensor

Remote control for display menu selection.



Rich Resonance Sound

Built-in speakers (2 x 10 watts) with high efficient acoustic enclosure

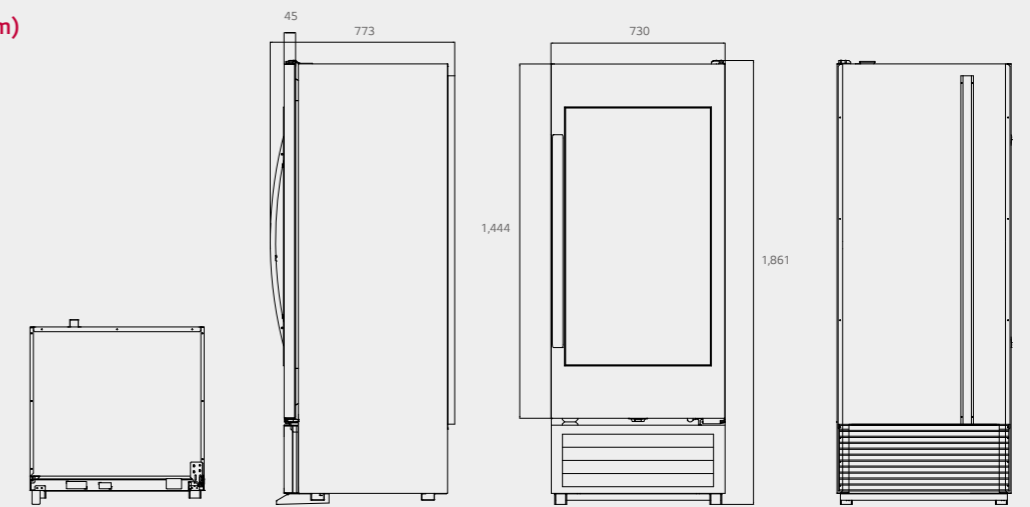


* 49WEC Only

Dimension (unit : mm)

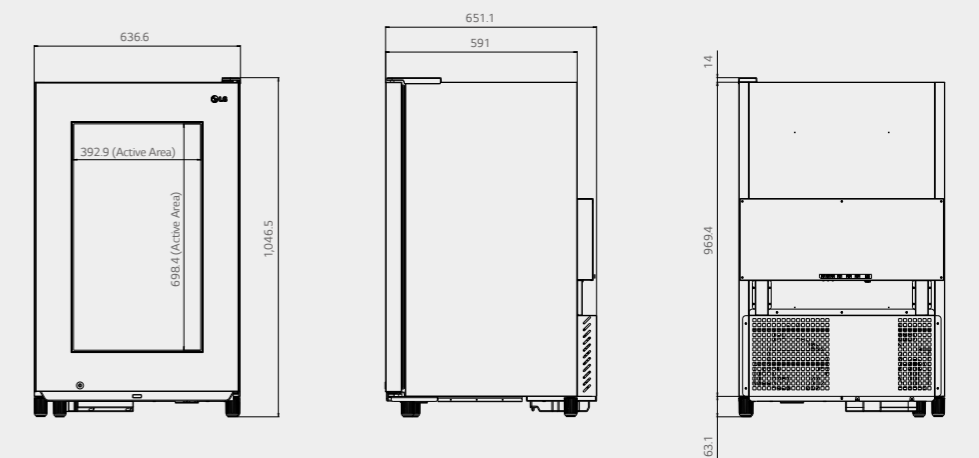
49WEC

730 x 773 x 1,861 /
114 kg



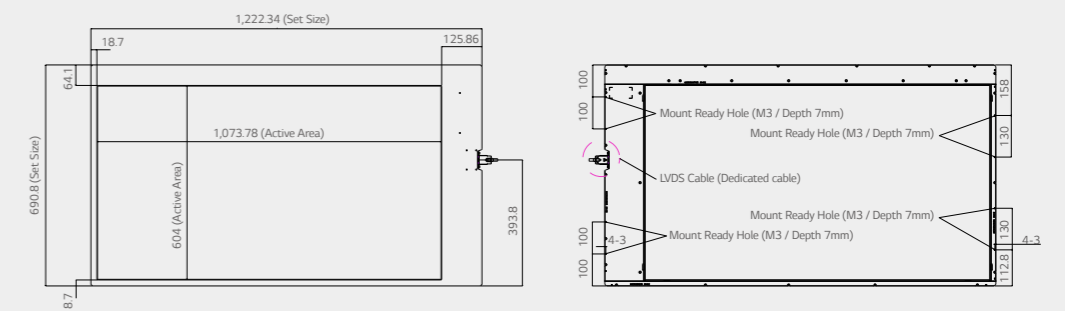
32WEC

636.7 x 651 x 1,045.5 /
75 kg



49WFB

1,222.34 x 690.8 x 11.2 /
5.4 kg



32WFC

743.2 x 504.2 x 11.2 /
2.6 kg

